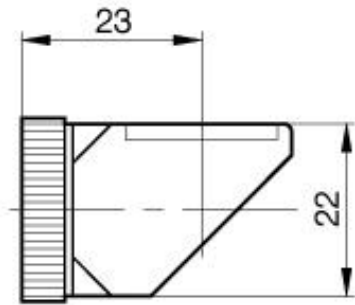


## Accessories: Others BOS 18-UK-2



### Common Data

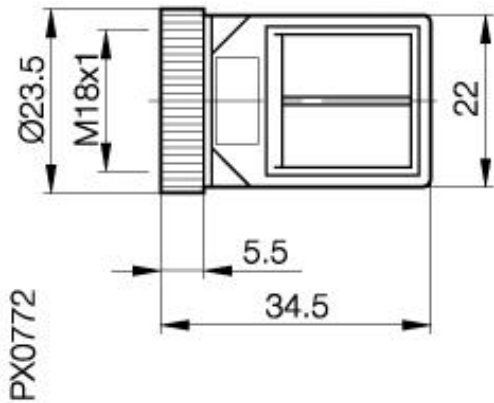
Version  
Usable with

90° Rotatable Head  
for Optosensors series BOS 18

### Mechanical Data

Measurements WxHxD or Dia x D  
Mounting

Ø23.5 x 34.5  
thread M18



Datasheet number::

Definitions see general catalog.  
If not otherwise noted, ratings according to  
IEC 60947-5-2 (DIN EN60947-5-2)

Balluff GmbH  
Schurwaldstrasse 9  
73765 Neuhausen a.d.F.  
Phone (07158) 173-0 Fax (07158) 5010

Datenblatt by CD-ROM - 04/2007

**BALLUFF**  
sensors worldwide